

Virtual Enterprise Energy Manager

SPECIFICATION

The Virtual Enterprise Energy Manager (VEEM) allows installing Enlighted's Energy Manager software directly on data center hardware to provide a secure web-based interface to monitor, manage, and analyze energy savings and data collected by the Enlighted sensor network.

OVERVIEW

The Virtual Enterprise Energy Manager (VEEM), available as an Open Virtualization Format (OVA) image, provides analysis for data harvested by the Enlighted network devices. In addition to being the collection point for energy, occupancy, and environmental data captured by the sensors, the VEEM provides a web-based user interface for lighting system management and optimizing building system performance.

The VEEM manages up to 10,000 sensors with BACnet and 18,000 sensors without BACnet. With the Lighting BACnet software license available for purchase, the VEEM can manage and control up to 35,000 BACnet points.

FEATURES AND BENEFITS

Simplified Lighting Control Management: The VEEM configures and manages lighting behavior by adjusting software profiles and retaining lighting data for up to 36 months. It generates reports on lamp and fixture outages, carbon reduction, energy and financial savings.

Power Metering: By deploying various control strategies at individual fixture level, direct power metering provides data for comprehensive savings analysis.

Comprehensive Insight into Building System Performance: Automatic Demand Response (ADR) and Demand Response (DR) optimize operating costs and comply with energy efficiency and sustainability goals. Measure and identify under-utilized spaces by gaining insight into building usage patterns.

Standards-Based Communications Protocols: Industry standard communication protocols provide robust and mature capabilities. REST-based APIs support GET and POST requests and XML, JSON responses. The BACnet/IP interface integrates the Enlighted lighting network with the Building Management System (BMS). The VEEM can also turn on or off the Bluetooth radio.

Data Security: AES 128-bit encryption for wireless data transmission and TLS encryption for TCP/IP along with the use of 2048-bit certificate and SHA-256 Cipher enable the highest standards of corporate data security requirements.

Data Privacy: The VEEM collects and stores occupancy data captured by the Enlighted sensors. The sensors cannot directly reference, distinguish or identify any natural person. The user's details such as login information, login and logout events, IP address, and application pages accessed by users along with the organization's name, occupancy data, and floor plans are all stored in the VEEM.

Flexible Deployment: The server can be installed on a Corporate Network, dedicated Gateway Network, or as a stand-alone system. The intuitive graphical user interface is accessible via standard secure web browser, thus eliminating software downloading.

Title 24 Compliance: The VEEM simplifies the code compliance process by automatically setting profile parameter limits and automating certain tests that Title 24 requires. The software generates Title 24 compliance documents as the tests are evaluated and certified.

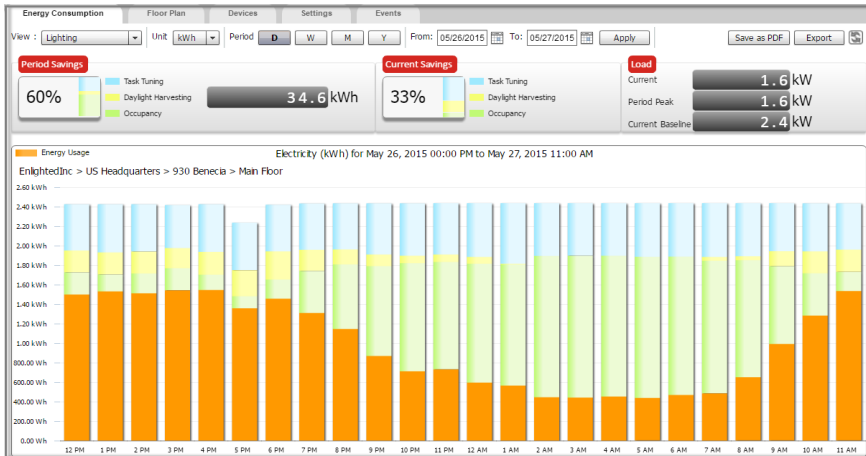
Virtual Enterprise Energy Manager Hardware Minimum Specification

Single Socket: 8 Virtual CPUs
 Memory: 16 GB of memory
 Data Drives: Two 1 TB drives
 NICs: Three cards
 Compatibility: ESXi 5.5 and 6.0

ENLIGHTED SPECIFICATION SUBMITTAL

Job Name: <input type="text"/>
Job Number: <input type="text"/>
Product Codes: <input type="checkbox"/> EM-SW-1000 <input type="checkbox"/> EM-SW-1 <input type="checkbox"/> EM-ZNS-01 <input type="checkbox"/> <input type="checkbox"/> <input type="checkbox"/> <input type="checkbox"/> <input type="checkbox"/> <input type="checkbox"/>

Virtual Enterprise Energy Manager



Virtual Enterprise Energy Manager Hardware Minimum Specification

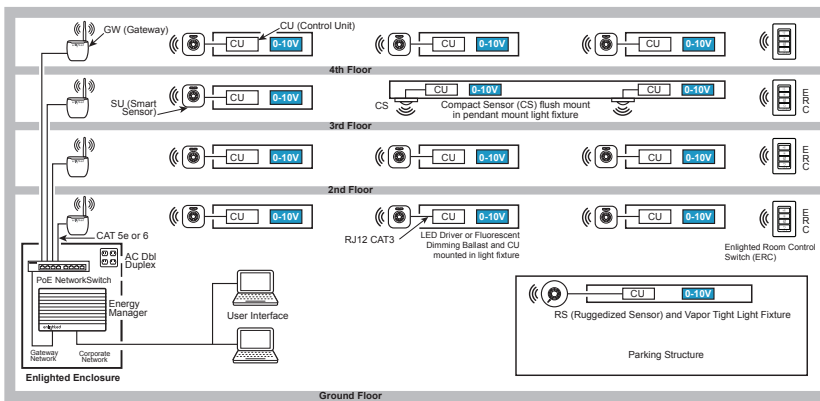
Single Socket: 8 Virtual CPUs
 Memory: 16 GB of memory
 Data Drives: Two 1 TB drives
 NICs: Three cards
 Compatibility: ESXi 5.5 and 6.0

INSTALLING

The Virtual Enterprise Energy Manager is usually installed directly on data center hardware using Enlighted's OVA image.

WIRING AND OPERATIONS

The Virtual Enterprise Energy Manager should be configured with three virtual ports: NIC1, NIC2, and NIC3. The Gateway Network is connected to one of the virtual ports. The Corporate Network is connected to the IT network or the local computer. The software that resides in the Virtual Enterprise Energy Manager can be accessed securely via a web browser, thus eliminating the need to download any software.



TECHNICAL SPECIFICATIONS

Operating System: Linux-based
Web Client: Chrome, Firefox, IE 10+
Security: TCP/IP, Standards-based
BACnet: BACnet/IP

ORDERING INFORMATION

EM-SW-1000 Add-on License for 1000 Sensors
 EM-SW-1 Add-on License for one Sensor
 EM-ZNS-01 Add-on License for a Single Zone Sensor Occupancy