

Power over Ethernet (PoE) Switch

SPECIFICATION

The PoE Switch, sourced from Netgear and certified by Enlighted, powers the Enlighted Gateway and provides data switching power for the Enlighted Control network.



OVERVIEW

The PoE Switch provides power and data from a single point, using Power over Ethernet via a single CAT-5 or 6 cable. The eight Fast Ethernet ports can be used for any 10/100 Mbps link and four of these ports can supply industry-standard IEEE 802.3af power. Advanced auto-sensing algorithm gives power only to 802.3af end devices, ensuring no damage to proprietary PoE or non-PoE equipment. In addition, the switch discontinues power when PoE devices are disconnected. Easy and reliable, the device automatically determines PoE requirements, speed, duplex, and cable type.

PoE Switch

L	9.3"	235 mm
W	4.1"	103 mm
H	1.1"	27 mm
Weight	27.2 oz	.77 kg

TECHNICAL SPECIFICATION

Network Ports

- 8 auto speed-sensing 10/100 RJ-45 ports

Network Protocol and Standards

- IEEE 802.3i 10BASE-T
- IEEE 802.3u 100BASE-TX
- IEEE 802.3x Flow Control
- IEEE 802.3af DTE Power via MDI

Performance Specifications

- Forwarding modes: Store-and-forward
- Bandwidth: 1.6 Gbps
- Network latency: Less than 20 μ s for 64-byte frames in store-and-forward mode for 100 Mbps to 100 Mbps transmission

Power Supply

- Total power consumption: 44 W maximum
- PoE Watt budget: 32 W
- 802.3 af power consumption: 32 W maximum (Ports 1-4)
- 48 VDC, 0.8 A power output; plug is localized to country of sale

Environmental Specifications

- Operating temperature: 32° to 104° F (0° to 40° C)

- Storage temperature: 14° to 158° F (-10° to 70° C)
- Operating humidity: 90% maximum relative humidity, noncondensing
- Storage humidity: 95% maximum relative humidity, noncondensing
- Operating altitude: 10,000 ft. (3,000 m) maximum
- Storage altitude: 10,000 ft. (3,000 m) maximum

Electromagnetic Immunity

- EN 55024

Electromagnetic Emissions

- CE mark, commercial
- FCC Part 15 Class B
- VCCI Class B
- EN 55022 (CISPR 22), Class B
- C-Tick

Safety

- CE mark, commercial
- CE/LVD EN60950

ENLIGHTED SPECIFICATION SUBMITTAL

Job Name:

Job Number:

Model Numbers:

 SW-POE-8-4

Power over Ethernet (PoE) Switch

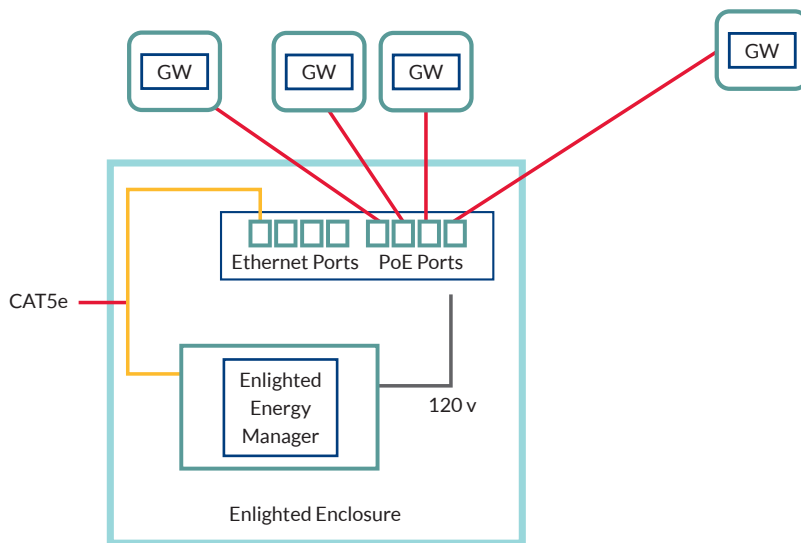
MOUNTING

The PoE Switch is usually mounted in an electrical or telecom room in an Enlighted Enclosure with the Enlighted Energy Manager and a double duplex receptacle. RJ-45 connectors are included for the Enlighted system and to connect to an IT network, or on a building automation and control network.

WIRING & OPERATIONS

The LAN2 port on the Enlighted Energy Manager is connected to one of the Ethernet ports on the PoE Switch.

WIRING



PoE Switch

ORDERING INFORMATION

SW-POE-8-4: PoE Switch

COMPLIANCE

Europe  RoHS  REACH 
United States  
Canada 

WARRANTY

NETGEAR Lifetime Warranty
1 year for power supply