

Enterprise Energy Manager

SPECIFICATION

The Enlighted Enterprise Energy Manager (EEM), sourced from Dell and certified by Enlighted, provides a secure web-based interface to monitor, manage, and analyze energy savings and other data collected by the Enlighted Smart Sensor network. The EEM translates data from the sensor network into detailed energy, temperature, and occupancy insights around the clock.

OVERVIEW

The Enterprise Energy Manager provides the data analysis for all data harvested by the Enlighted network devices, such as sensors. In addition to being the collection point for the energy, occupancy, and environmental data captured by Enlighted Smart Sensors, the EEM provides a web-based user interface for lighting system management and optimizing building system performance.

The EEM manages up to 10,000 sensors with BACnet and 18,000 sensors without BACnet. With the Lighting BACnet software license available for purchase, the EEM can manage and control up to 35,000 BACnet points.

FEATURES

Simplified Lighting Control Management: The EEM configures and manages lighting behavior by adjusting software profiles while retaining lighting data for up to 36 months. It generates reports on lamp and fixture outages, carbon reduction, energy and financial savings.

Power Metering: By deploying various control strategies at individual fixture level, direct power metering provides data for comprehensive savings analysis.

Comprehensive Insight into Building System Performance: Automatic Demand Response (ADR) and Demand Response (DR) optimize operating costs and comply with energy efficiency and sustainability goals. Measure and identify under-utilized spaces by gaining insight into building usage patterns.

Standards-Based Communications Protocols: Industry standard communication protocols provide robust and mature capabilities. REST-based APIs support GET and POST requests and XML, JSON responses. BACnet/IP enables integration between the Enlighted lighting network and Building Management System (BMS). The EEM can turn on or off Bluetooth 4.0 Low Energy (BLE) beacons.

Data Security: AES 128-bit encryption for wireless data transmission and TLS encryption for TCP/IP along with the use of a 2048-bit certificate and SHA-256 Cipher enable the highest standards of Corporate Data Security requirements.

Data Privacy: The EEM collects and stores occupancy data captured by the Enlighted sensors. The sensors cannot directly reference, distinguish or identify any natural person. The user's details such as login information, login and logout events, IP address, and application pages accessed by users along with the organization's name, occupancy data, and floor plans are all stored in the EEM.

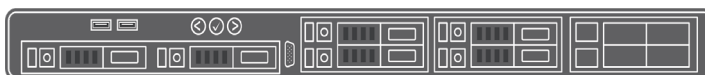
Flexible Deployment: The server can be installed on a Corporate Network, dedicated Gateway Network, or as a stand-alone system. The intuitive graphical user interface is accessible via standard secure web browser, thus eliminating software downloading.

Title 24 Compliance: The EEM simplifies the code compliance process by automatically setting profile parameter limits and automating certain tests that Title 24 requires. The software generates Title 24 compliance documents as the tests are evaluated and certified.



Enterprise Energy Manager

Width	19.00"	482.6 mm
Depth	23.9"	607.1 mm
Height	1.7"	43.2 mm



Front View without Bezel



Back View

ENLIGHTED SPECIFICATION SUBMITTAL

Job Name:

Job Number:

Product Codes:

EM-3-01:EEM with up to 5000 Sensors

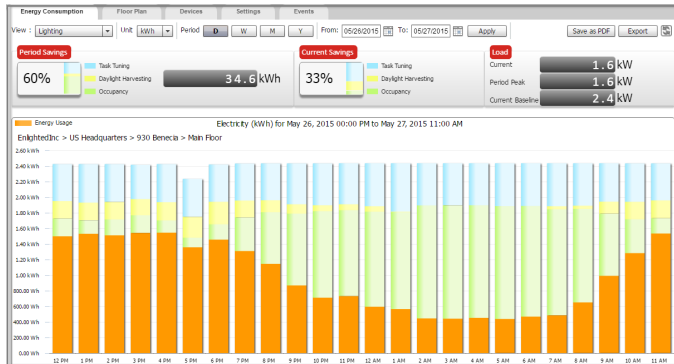
EM-SW-1000: Add-on 1000 Sensors

EM-SW-1: Add-on one Sensor

EM-ZNS-01: Add-on Single Zone Occ.

Enterprise Energy Manager

ENERGY SAVINGS



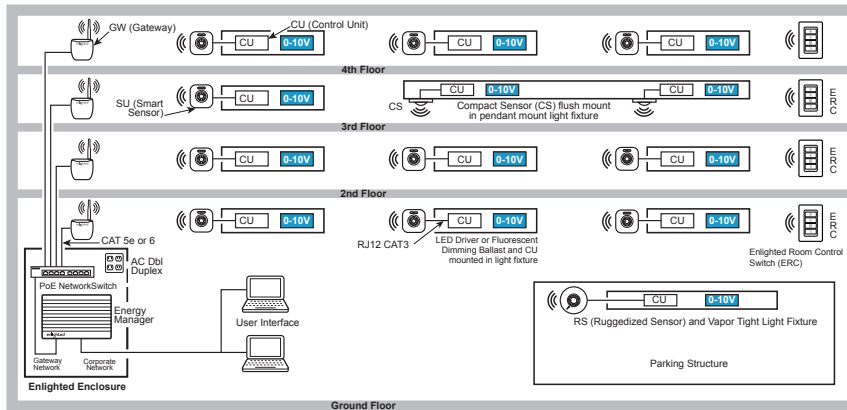
Enterprise Energy Manager

MOUNTING

The Enterprise Energy Manager is usually placed in the customer's data center. RJ-45 connectors are included for the Enlighted system to connect to the Corporate network and Gateway network.

WIRING & OPERATIONS

The Enterprise Energy Manager has two Ethernet ports: Eth0 and Eth1. The Gateway network is connected to one of the Ethernet ports on the PoE Switch. The Corporate network from the Ethernet port is connected to the client's IT network or the client's local computer. The software that resides in the Enterprise Energy Manager can be accessed securely via a web browser, thus eliminating the need for clients to download any software.



TECHNICAL SPECIFICATIONS

- Operating System:** Linux-based
- Web Client:** Chrome, Firefox, IE 10+
- Security:** TCP/IP, Standards-based
- BACnet:** BACnet/IP
- Operating:** 50° to 95° F / 10° to 35° C
- Enclosure:** Ruggedized aluminum
- Power Supply input:** 100-240 VAC / 7.4-3.7A
- Power Supply Output:** 350W/550W AC

ORDERING INFORMATION

- EM-3-01 EEM with up to 5000 Sensors
- EM-SW-1000 Add-on License for 1000 Sensors
- EM-SW-1 Add-on License for one Sensor
- EM-ZNS-01 Add-on License for a Single Zone Sensor Occupancy

COMPLIANCE

- Europe
- United States
- Canada

Warranty: 1 year